

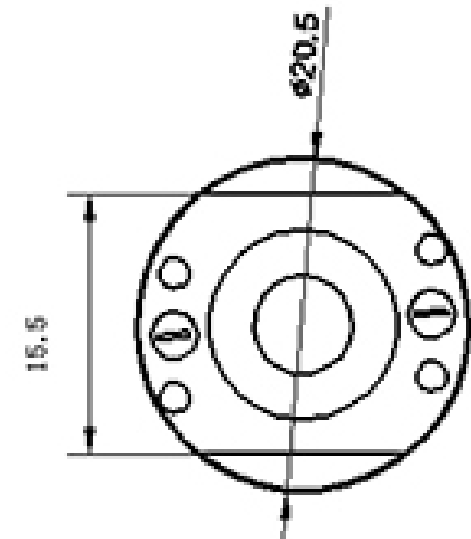
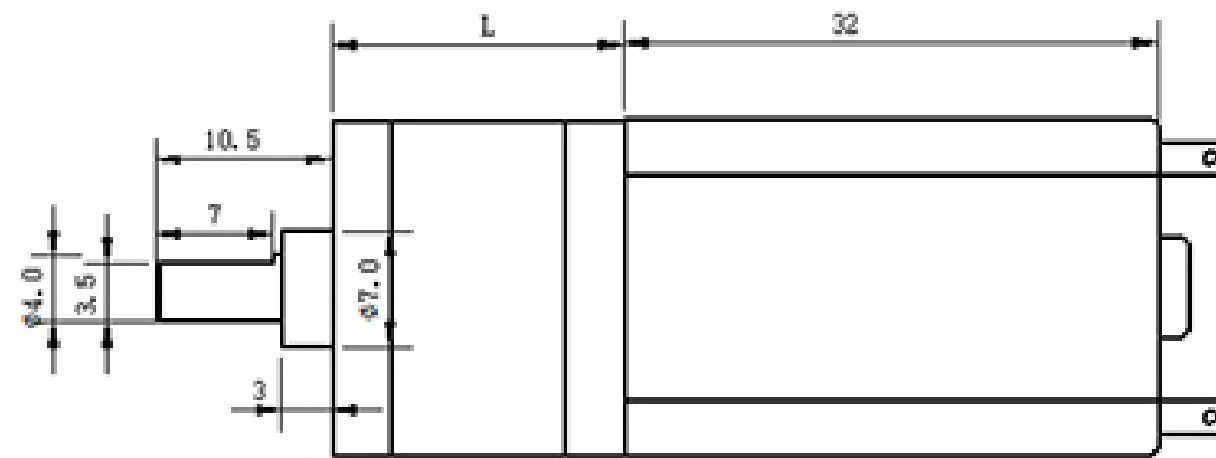
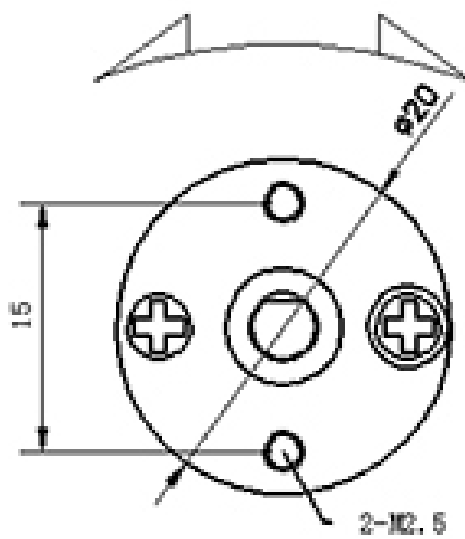


JGA20-180 Specification:

- Rate Voltage:12V
- Ratio:500/390/312/250/195/125/100/78/63/50/31/25
- No-load Speed:24rpm/30rpm/38/50/60/100/120/150/200/240/380/480rpm
- Micro body large torque
- High quality and 100% brand new
- customized when your order >100pcs
- weigth:60g

DIRECTION OF ROTATION

Unit:mm



型号: JGA20-180				参数表								
电压Voltage		空载No Load		负载转矩Load Torque				堵转Stall		减速器Redu		重量
范围	额定	转速	电流	转速	电流	扭矩	功率	扭矩	电流	L尺寸	减速比	Weight
Workable	Rated	Speed	current	speed	current	Torque	Output	Torque	Current	Size	Ratio	单位
Range	Volt. V	rpm	ma	rpm	ma	kg. cm	W	kg. cm	A		0.0417	约g
3-9V	6	400	80	280	200	0.45	2.4	2.25	1.5	16	25	100
3-9V	6	200	80	150	200	0.9	2.4	4.5	1.5	17.5	50	100
3-9V	6	100	80	80	200	1.8	2.4	9	1.5	19	100	100
3-9V	6	51	80	40	200	3.5	2.4	禁止	1.5	19	195	100
3-9V	6	40	80	32	200	4.5	2.4	禁止	1.5	19	250	100
3-9V	6	20	80	16	200	7	2.4	禁止	1.5	20.5	488	100

Rate Voltage	No-load		Load				Stall		weighth	L
	Speed	Current	Speed	Current	Torque	Power	Torque	Current		
	±10%RPM	A	±10%RPM	A	KG.CM	W	KG.CM	A		
12	480	0.1	396	0.22	0.43	1.2	1.75	2.5	52	16
12	380	0.1	304	0.52	0.43	1.36	2.17	2.5	52	16
12	240	0.1	200	0.48	0.6	1.26	2.6	2.5	53	17.3
12	200	0.1	156	0.51	0.86	1.4	3.5	2.5	53	17.3
12	150	0.1	120	0.49	0.97	1.21	3.9	2.5	53	17.3
12	120	0.1	97	0.5	1.38	1.4	5.4	2.5	54	19
12	100	0.1	73	0.54	2.48	1.9	8.7	2.5	54	19
12	60	0.1	49	0.53	4	2.09	Ban lock		54	19
12	50	0.1	38	0.53	4.96	1.5			54	20.5
12	38	0.1	30	0.47	6	1.5			54	20.5
12	30	0.1	25	0.42	6	1.5			54	20.5
12	24	0.1	22	0.38	6	1.35			54	20.5



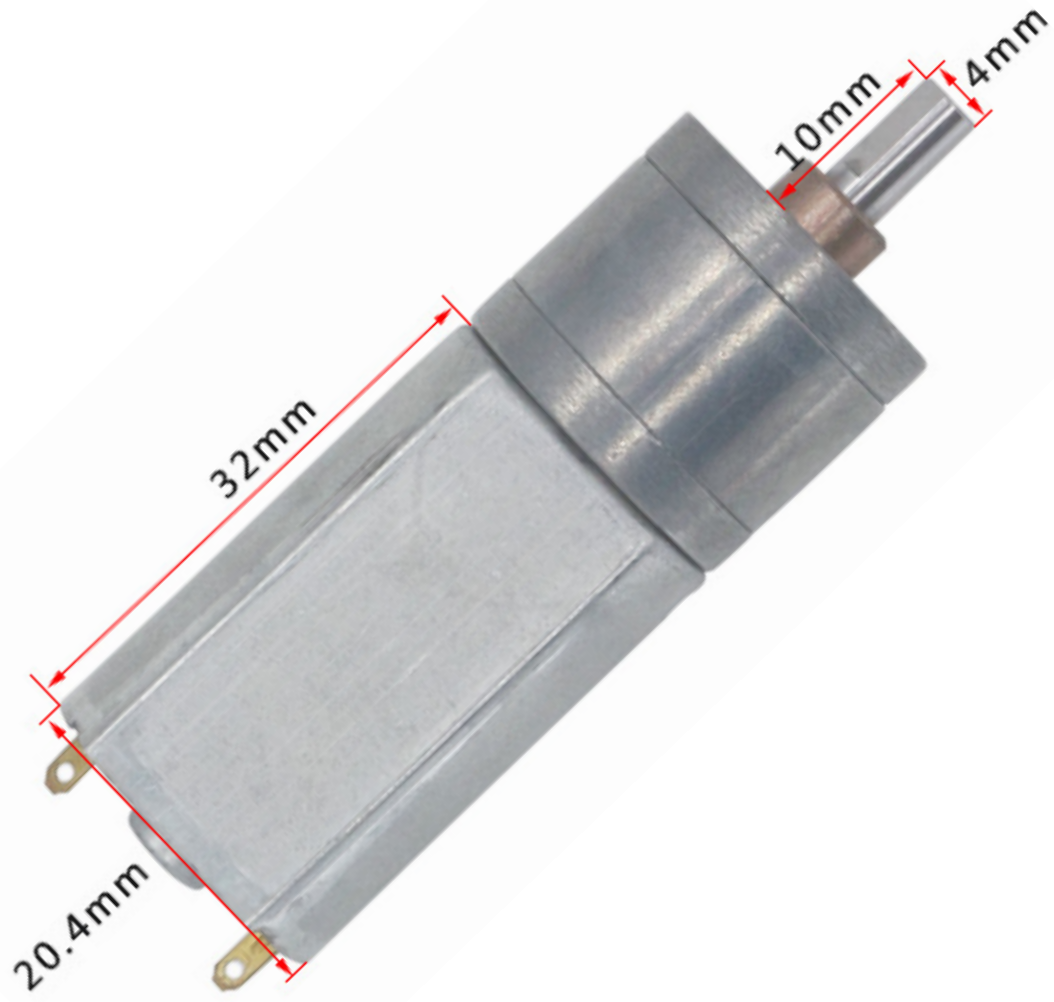
SHENZHEN JINSHUNLAITE MOTOR CO.,LTD

Professional DC gear motor manufactur

Tel/Wechat/Whatsapp:+8615818723921

EM:maggie@aslongmotor.com

Customization Service OEM/ODM CE RoHS



OUR CERTIFICATE



OUR FACTORY

